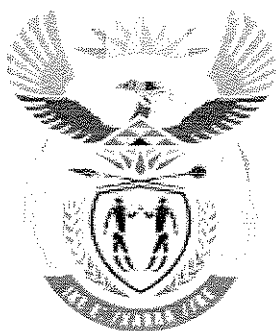
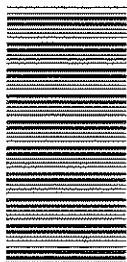


00000000



# higher education & training

Department:  
Higher Education and Training  
REPUBLIC OF SOUTH AFRICA

## MARKING GUIDELINE

NATIONAL CERTIFICATE

AUGUST EXAMINATION

MECHANICAL DRAUGHTING N4

4 AUGUST 2014

This marking guideline consists of 7 pages.

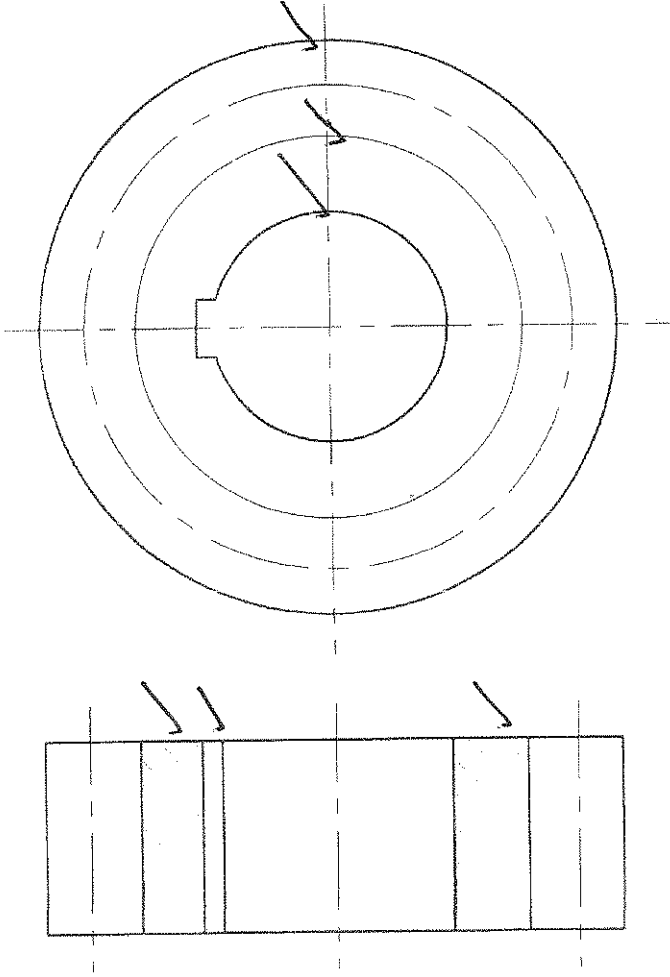
*Changes were made on question 3  
and question 4.1 (Diagrams)*

*[Signature]* Chipe Markers  
08/08/2014

*[Signature]* DHET

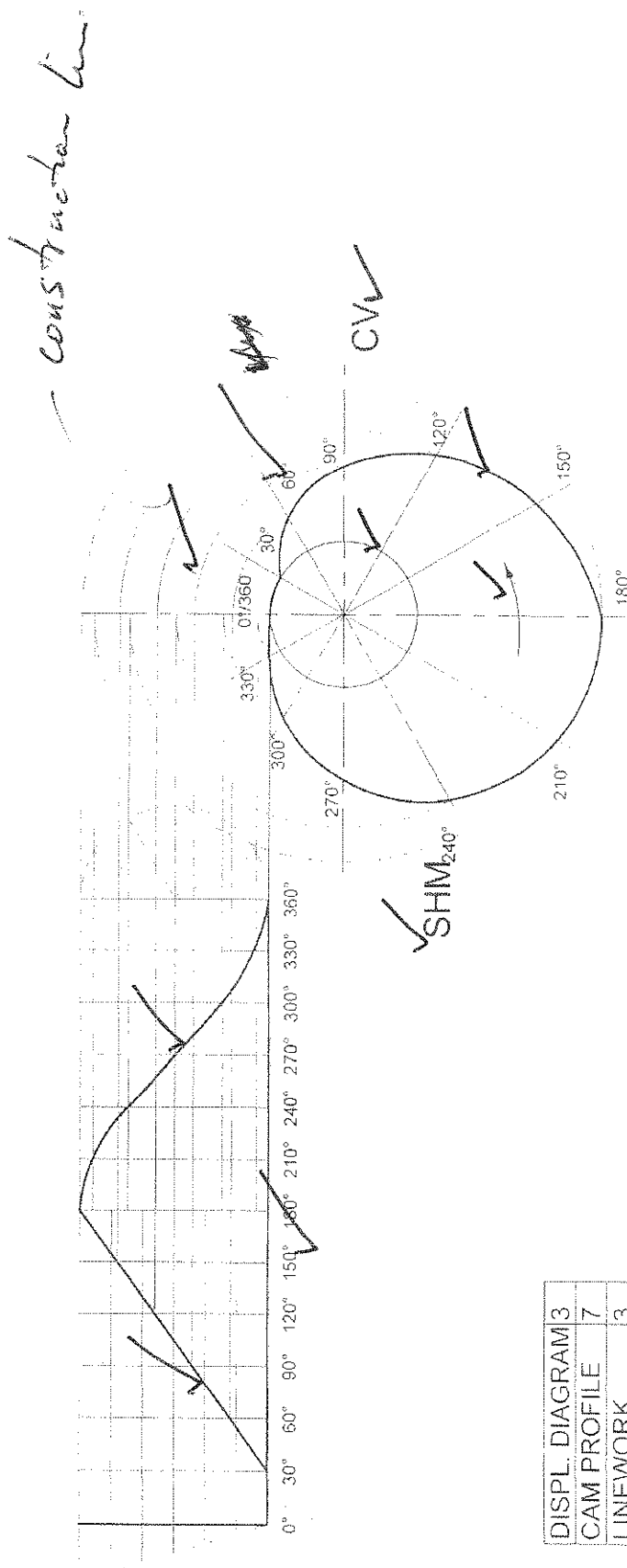
*[Signature]*  
Masup  
8/8/14

QUESTION 1



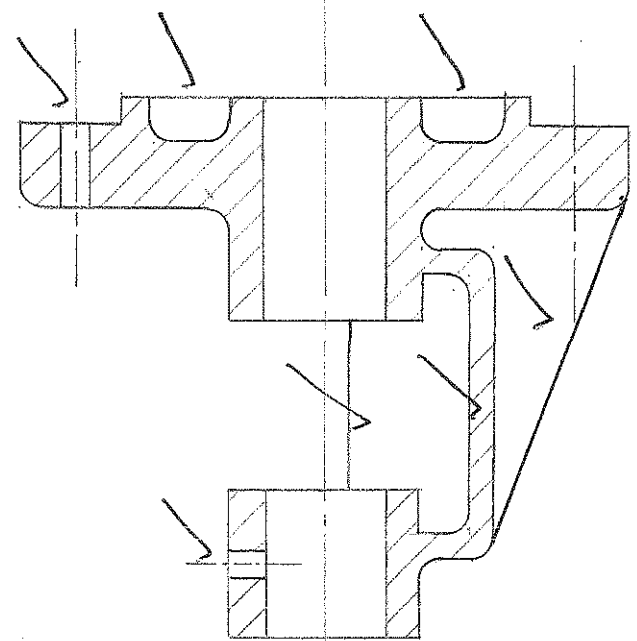
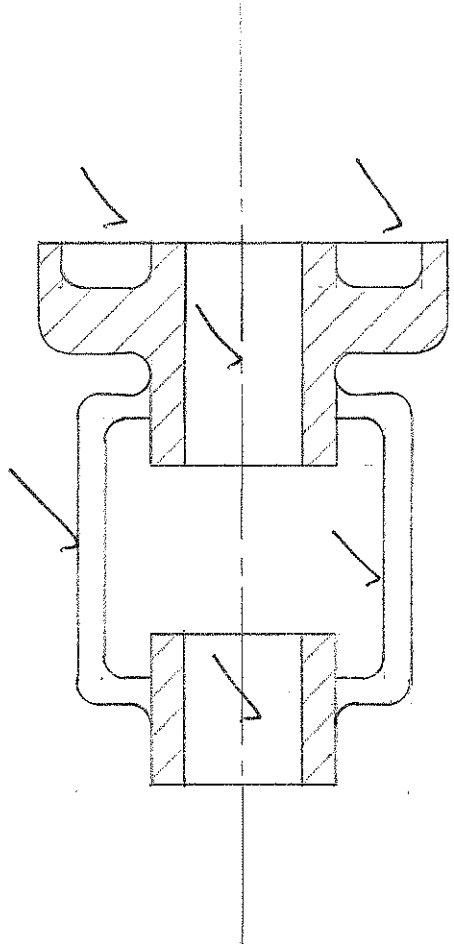
CORRECT	6
LINEWORK	2
ACCURACY	2
TOTAL	10

QUESTION 2



DISPL. DIAGRAM	3
CAM PROFILE	7
LINEWORK	3
ACCURACY	2
TOTAL	15

Q



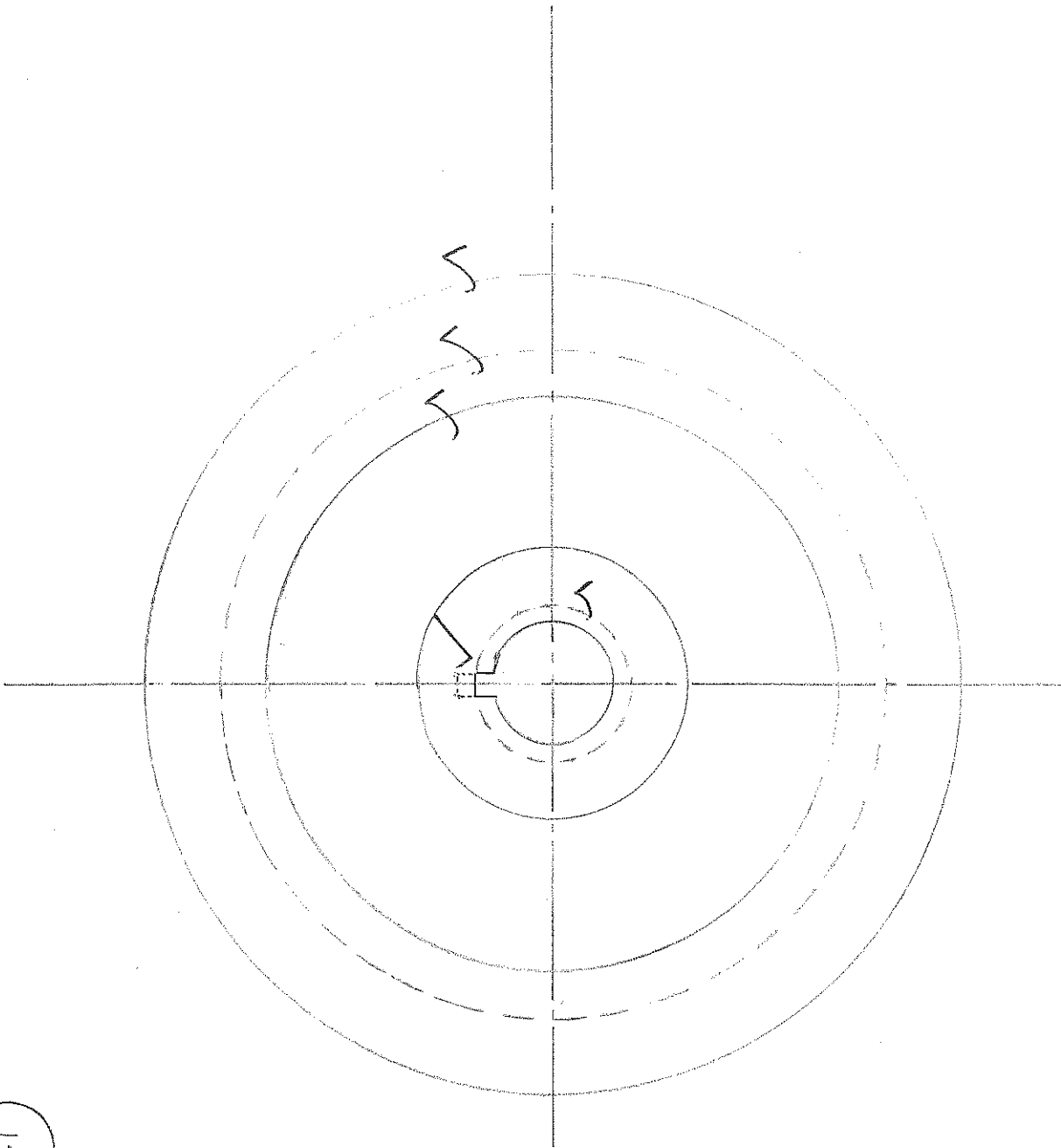
CORRECTNESS : (FV) 7

CORRECTNESS : (TV) 6

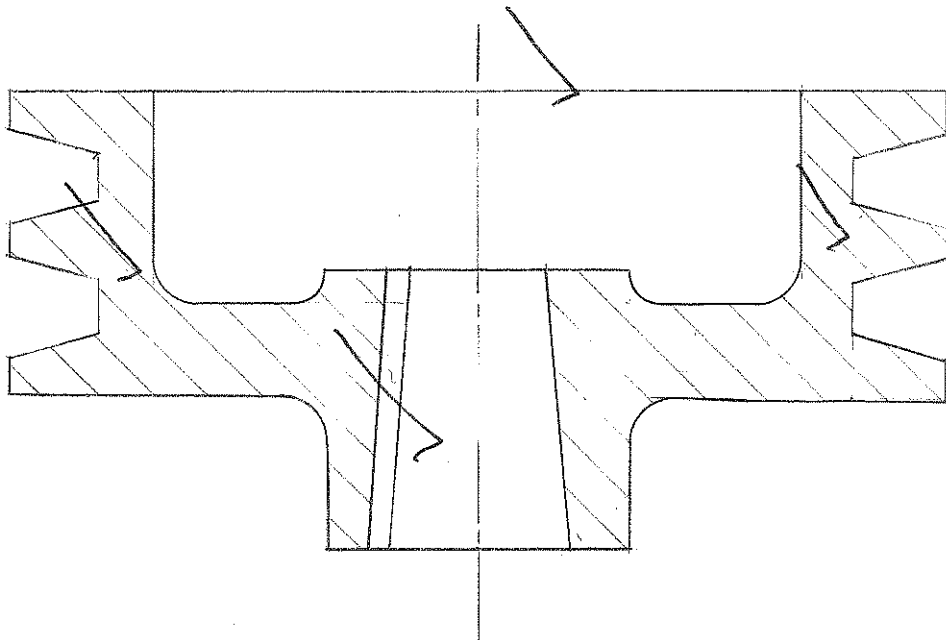
LINEWORK 4

ACCURACY 3

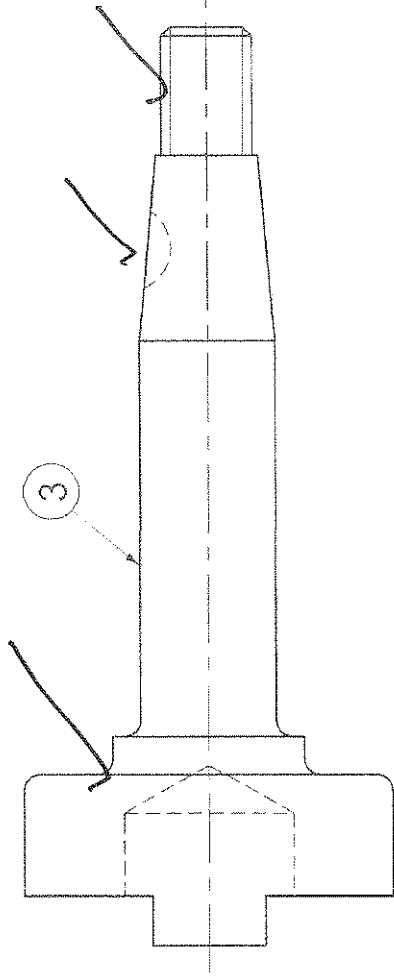
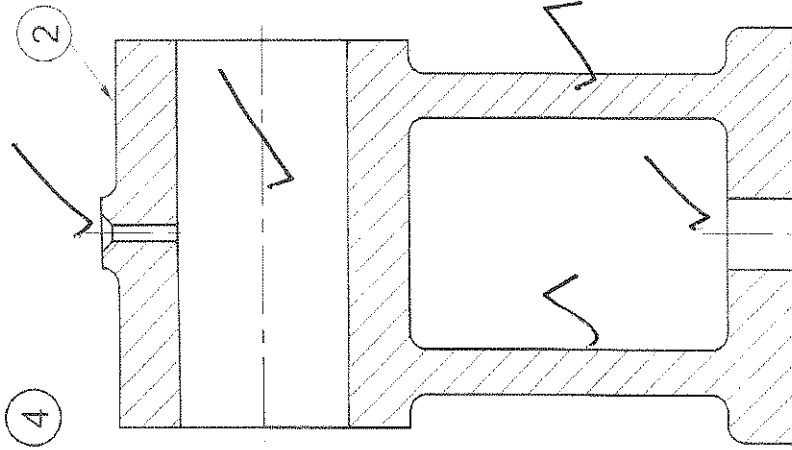
20



4.7

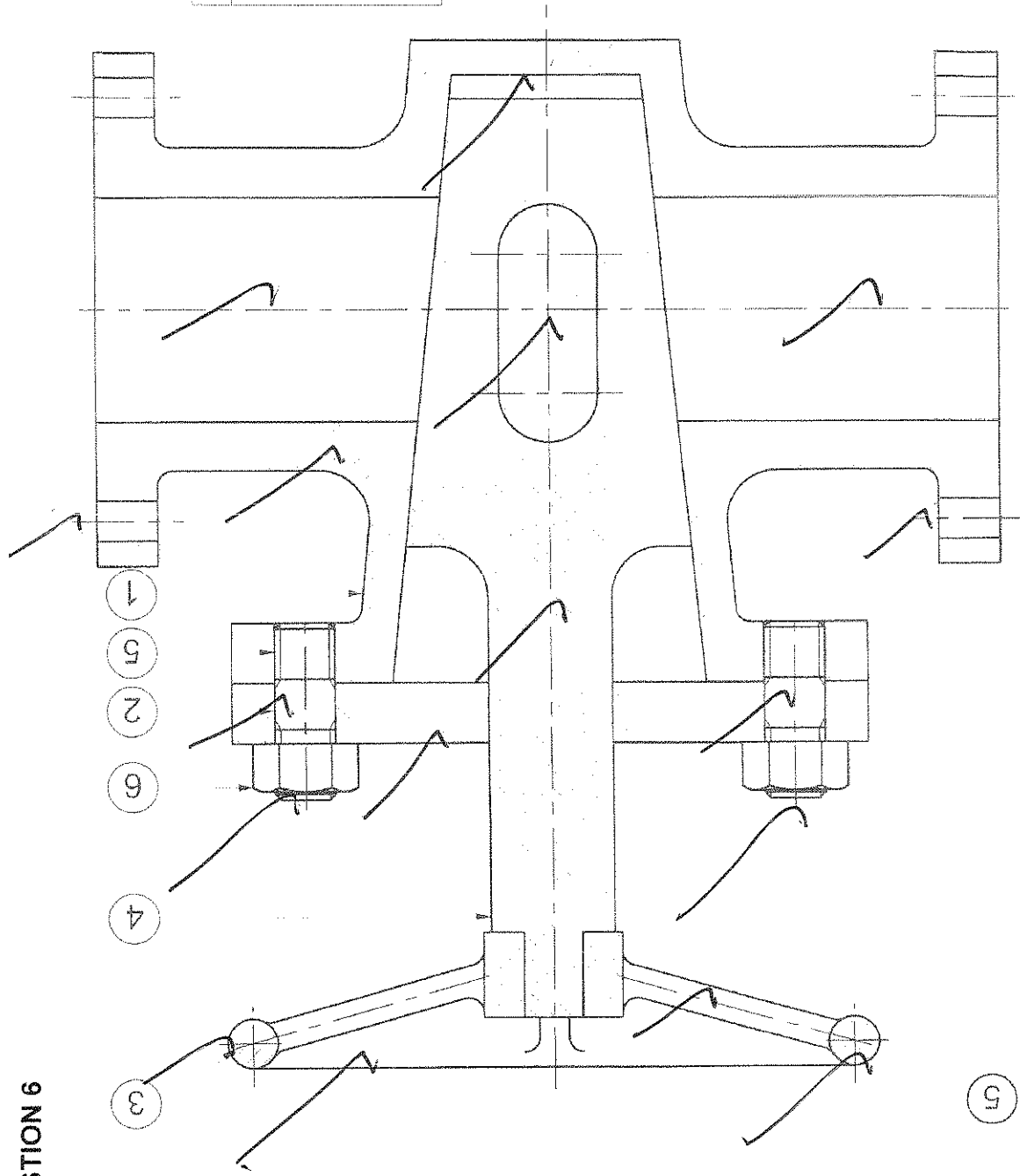


QUESTION 4



CORRECT: ITEM 1 (FV)	4
CORRECT: ITEM 1 (RV)	3
CORRECT: ITEM 2 (FV)	4
CORRECT: ITEM 3 (FV)	3
LINEWORK	3
ACCURACY	3
TOTAL	20

QUESTION 6



17	CORRECT: FV
4	LINEWORK
4	ACCURACY
2	ITEM NOS
3	PARTS LIST
30	TOTAL