

higher education & training

Department:
Higher Education and Training
REPUBLIC OF SOUTH AFRICA

MARKING GUIDELINE

NATIONAL CERTIFICATE

AUGUST EXAMINATION

SUBJECT NAME

BSC

21 JULY 2014

This marking guideline consists of ⁹~~7~~ pages.

[Handwritten signature]
DHET
[Handwritten signature] *[Handwritten signature]*

Marks distribution per question

Question 1.1

Correctness	2
Rafters and struts	2
Gusset plate/ welding symbols	2
Scale	1
Total marks	07

Question 1.2

Correctness	2
Struts @ 60 degrees	2
Gusset plate / welding symbol	2
Tie beam	1
Scale	1
Total marks	08

Question 2

Correctness	3
Beam filling/ brickwork	2
Roof covering	2
Roof gradient	2
Rafters and tie beam	2
Wall plate	2
Ceiling boards / battens	2
Purlins	2
Roof overhang	2
Fascia board	2
Gutters and down pipes	2
Total marks	23

Question 3

Correctness	3
385mm cavity wall	1
Dimensions	2
Labelling	2
Scale	1
Total marks	09

Question 4.3

Correctness	3
Thickness of the wall	2
Double rebated steel frame	2
Dimensions	2
Labelling	2
Total marks	11

Question 5

Correctness	3
Foundations	2
Foundation wall	2
Service bed	2
Hard core/ natural ground level	2
Plaster/ skirting	2
P.V.C /D.P.C	2
Steel window	2
Window sill/board	1
Mortar screed	1
Scale	1
Total marks	20

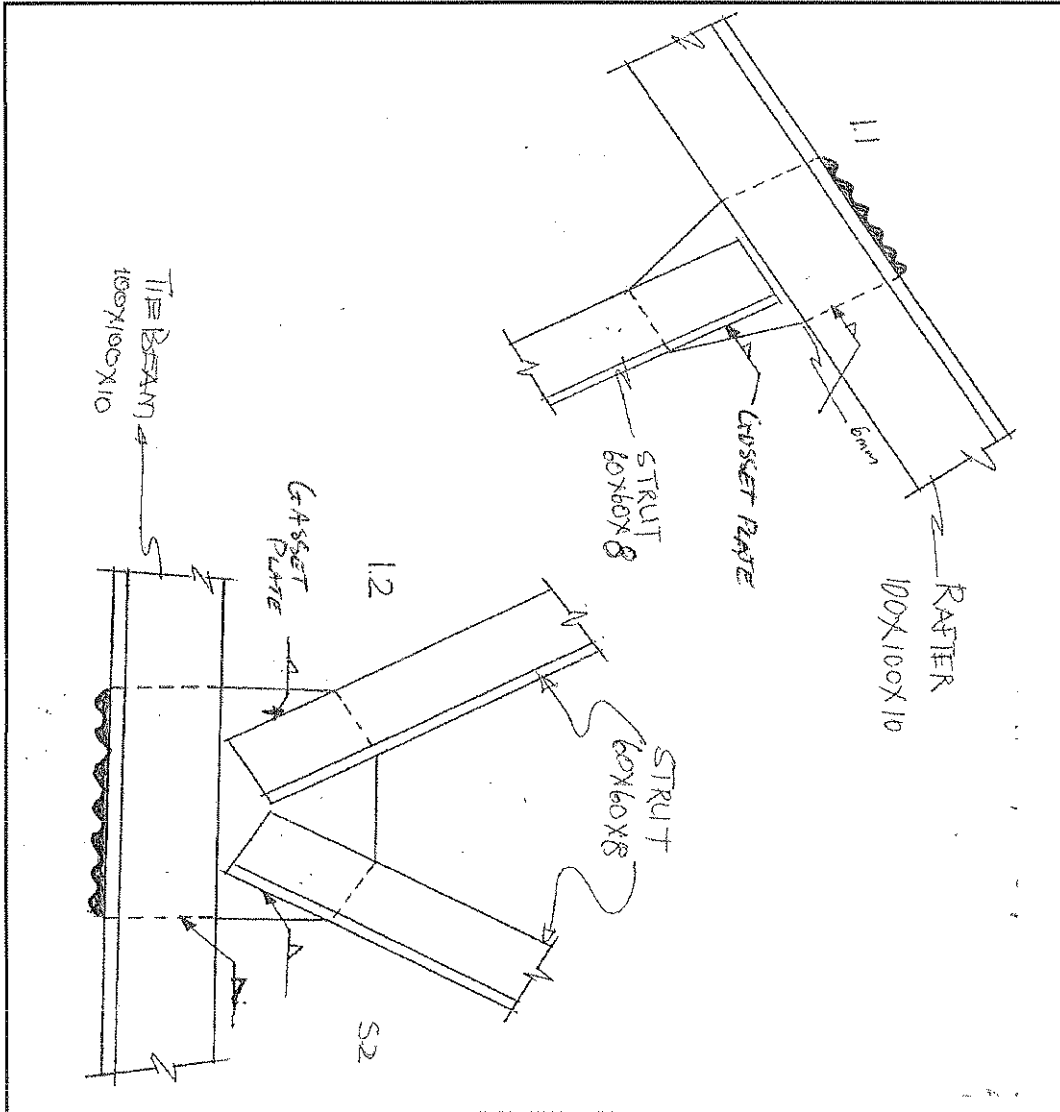
Question 6

Correctness	3
Two-ring rough	2
Riser	2
Construction methods	3
Brickwork	2
Scale	1
Total marks	13

QUESTION 1

1.1

1.2

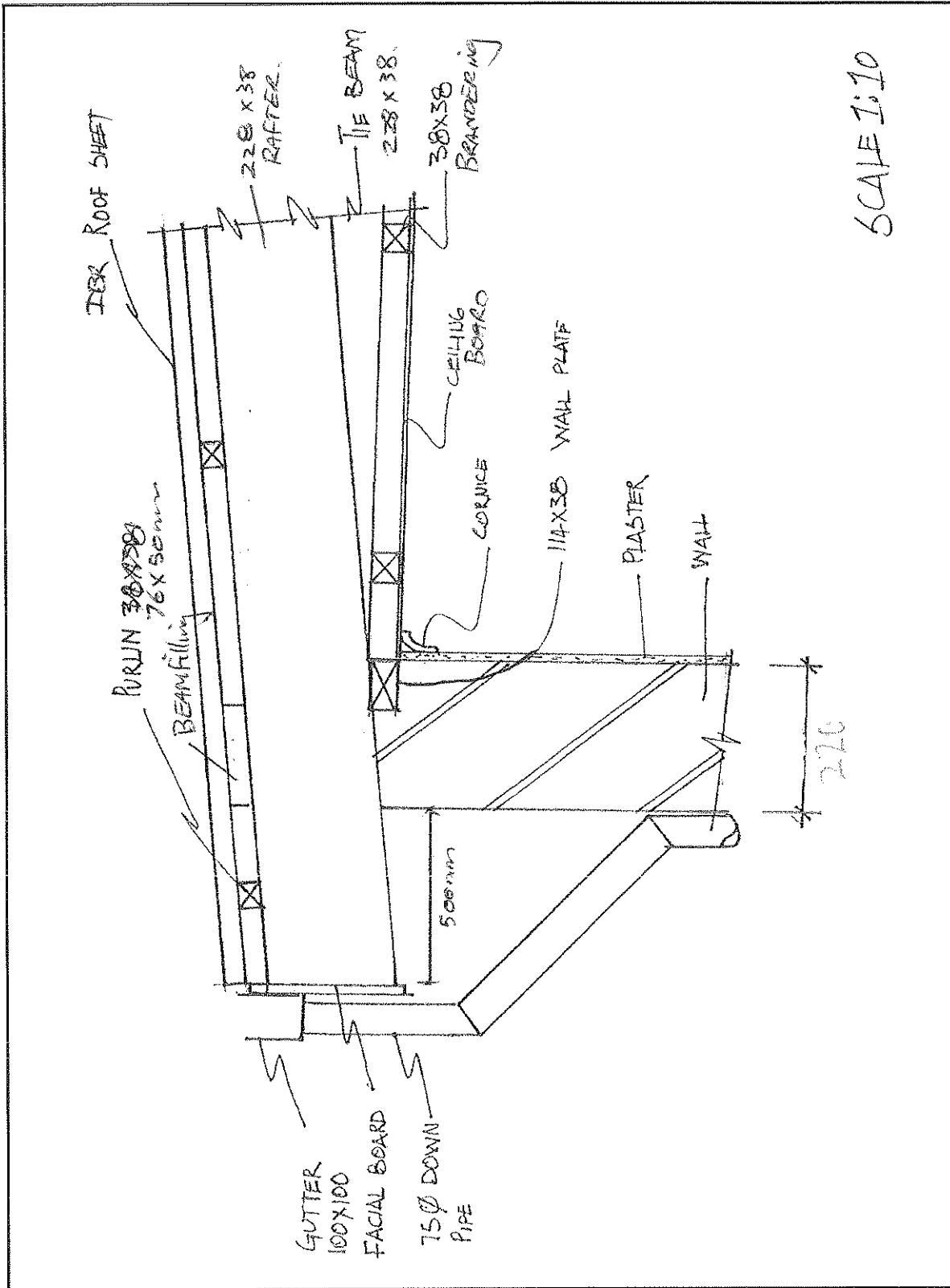


(7)

(8)

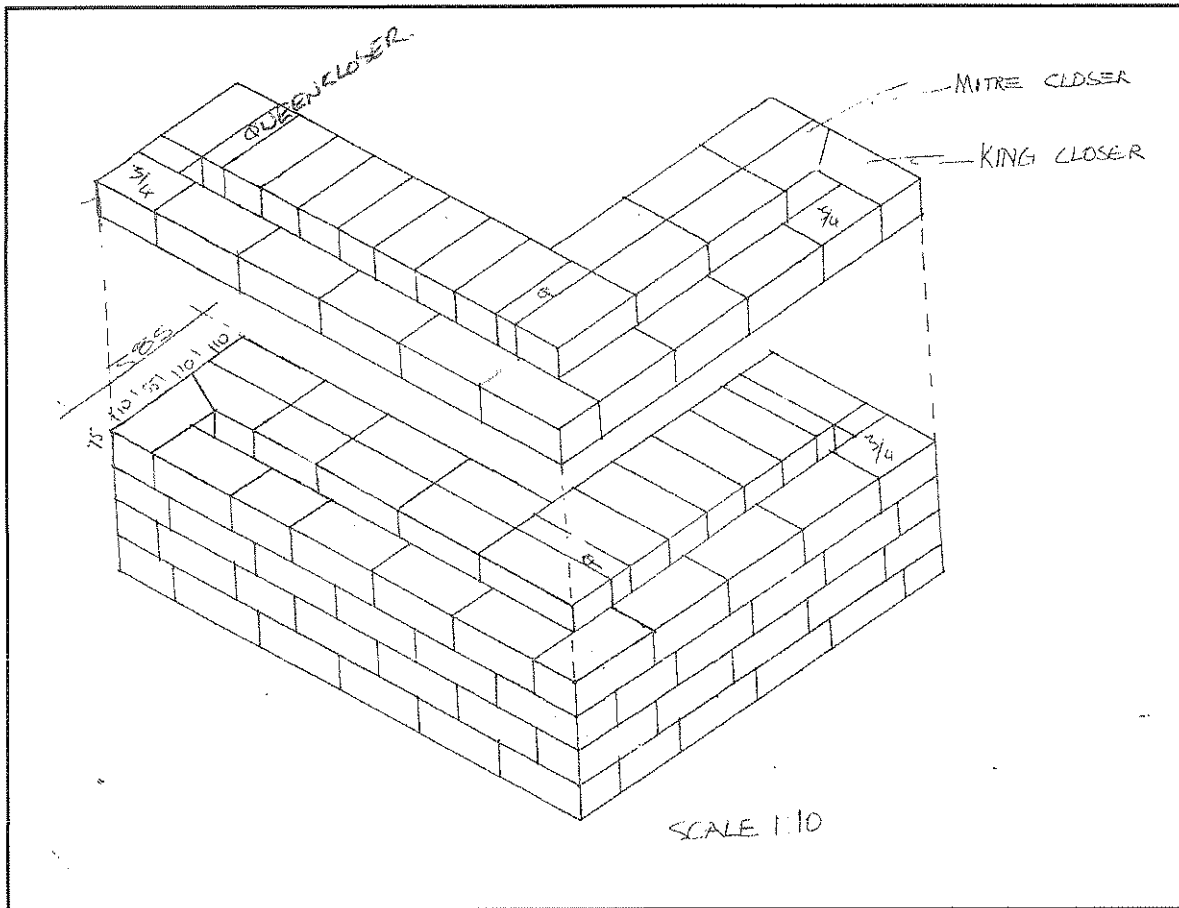
[15]

QUESTION 2



[23]

QUESTION 3



[9]

QUESTION 4

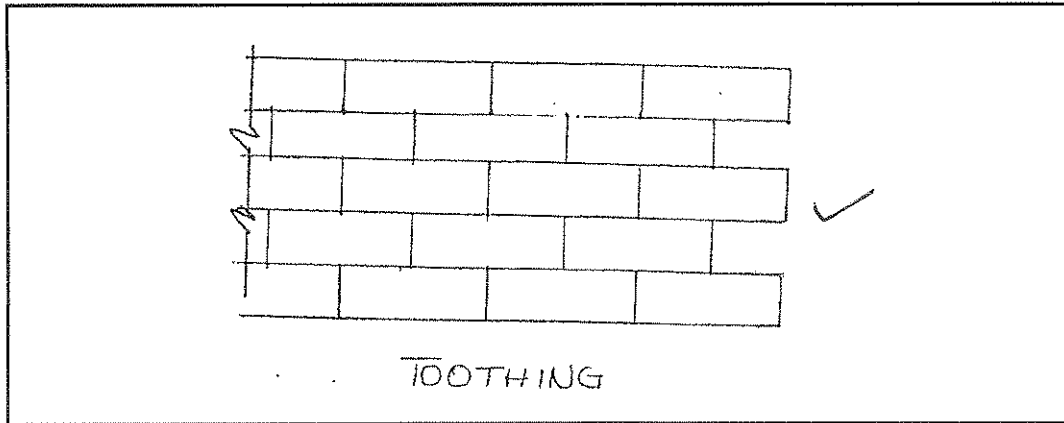
4.1

1. Ensure that the opening parts open outwards. ✓
2. Build wall to sill height ✓
3. Place two or more bricks flat across the wall and place the frame on top of these bricks in the centre of the wall. ✓
4. Secure frame in position by means of supports ✓
5. Set the frame level and plumb as well as to the correct height using wedges. ✓

[5]

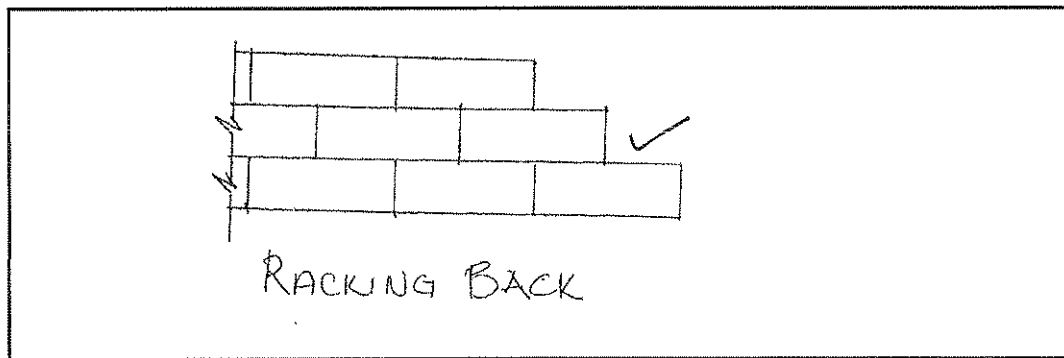


4.2



Toothing is done when provision must be made for a completed wall to be extended at a later stage. ✓

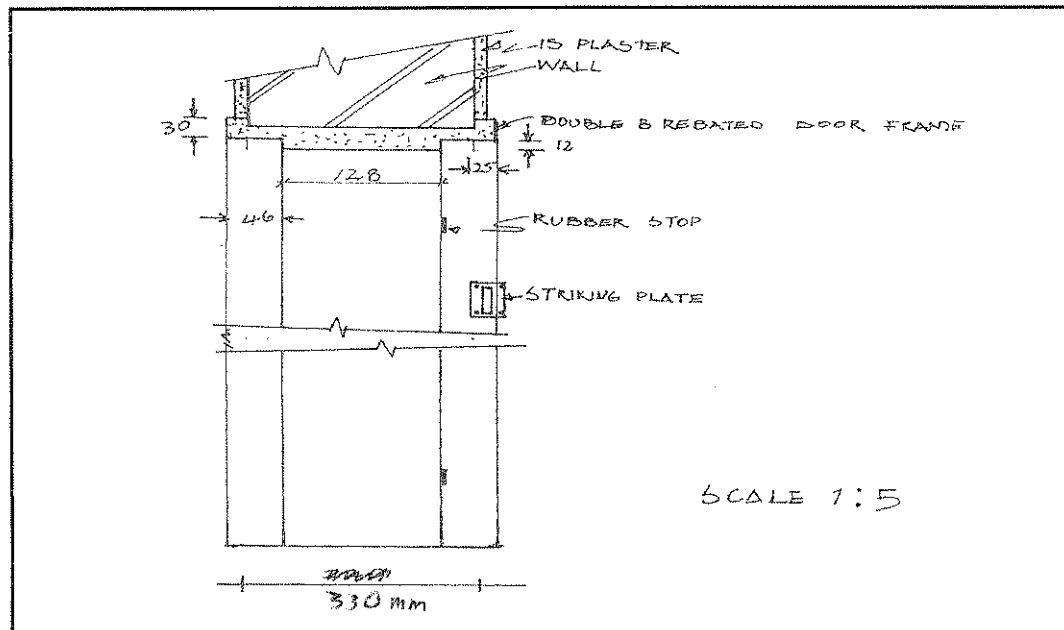
(2)



Racking back is done when a straight piece of wall is build halfway from its end, so that the remainder piece be can joined into the existing wall and the bond maintained. ✓

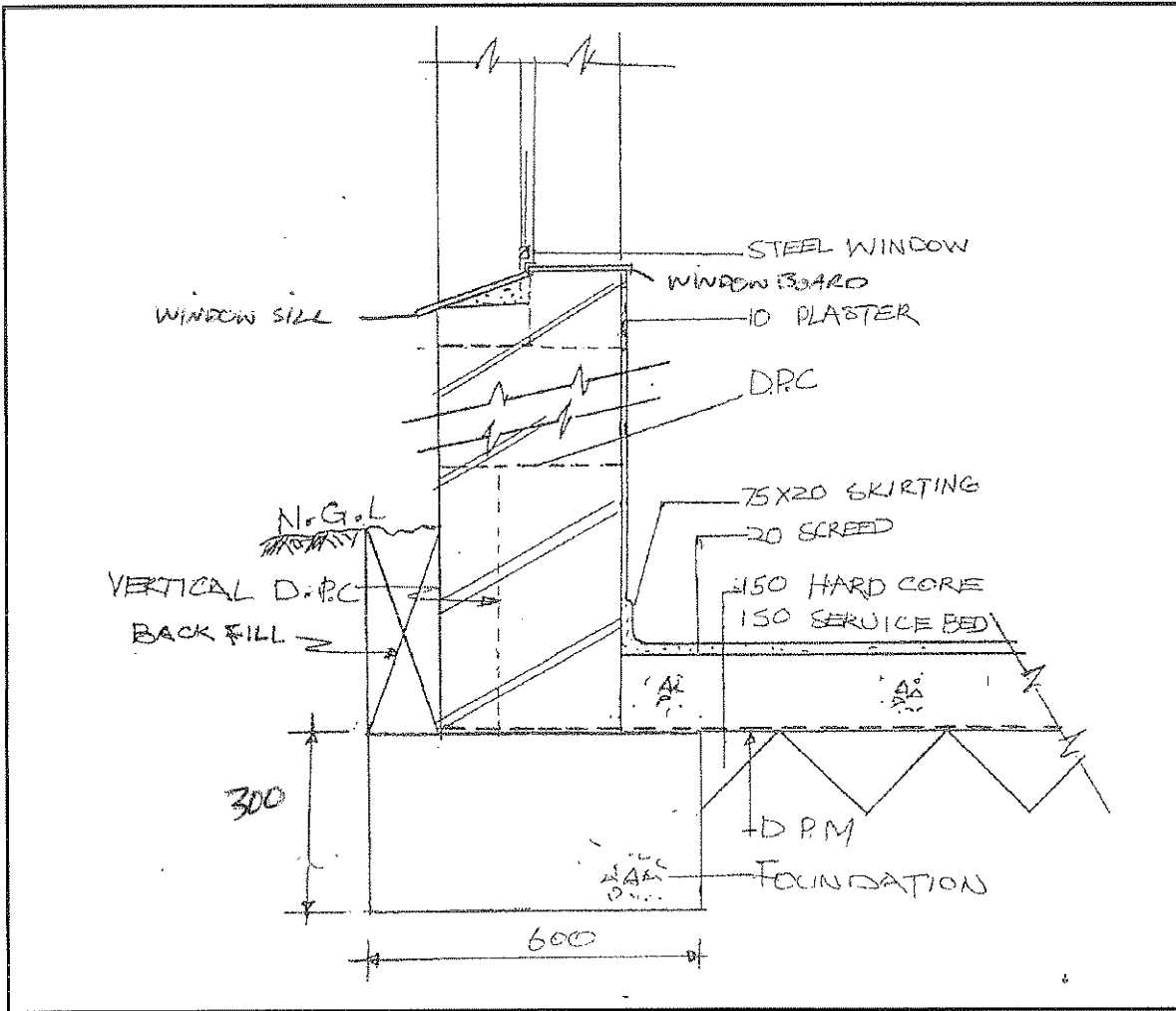
(2)

4.3

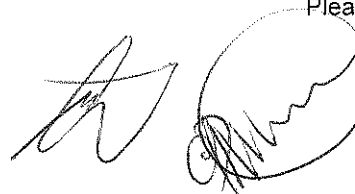


(11)

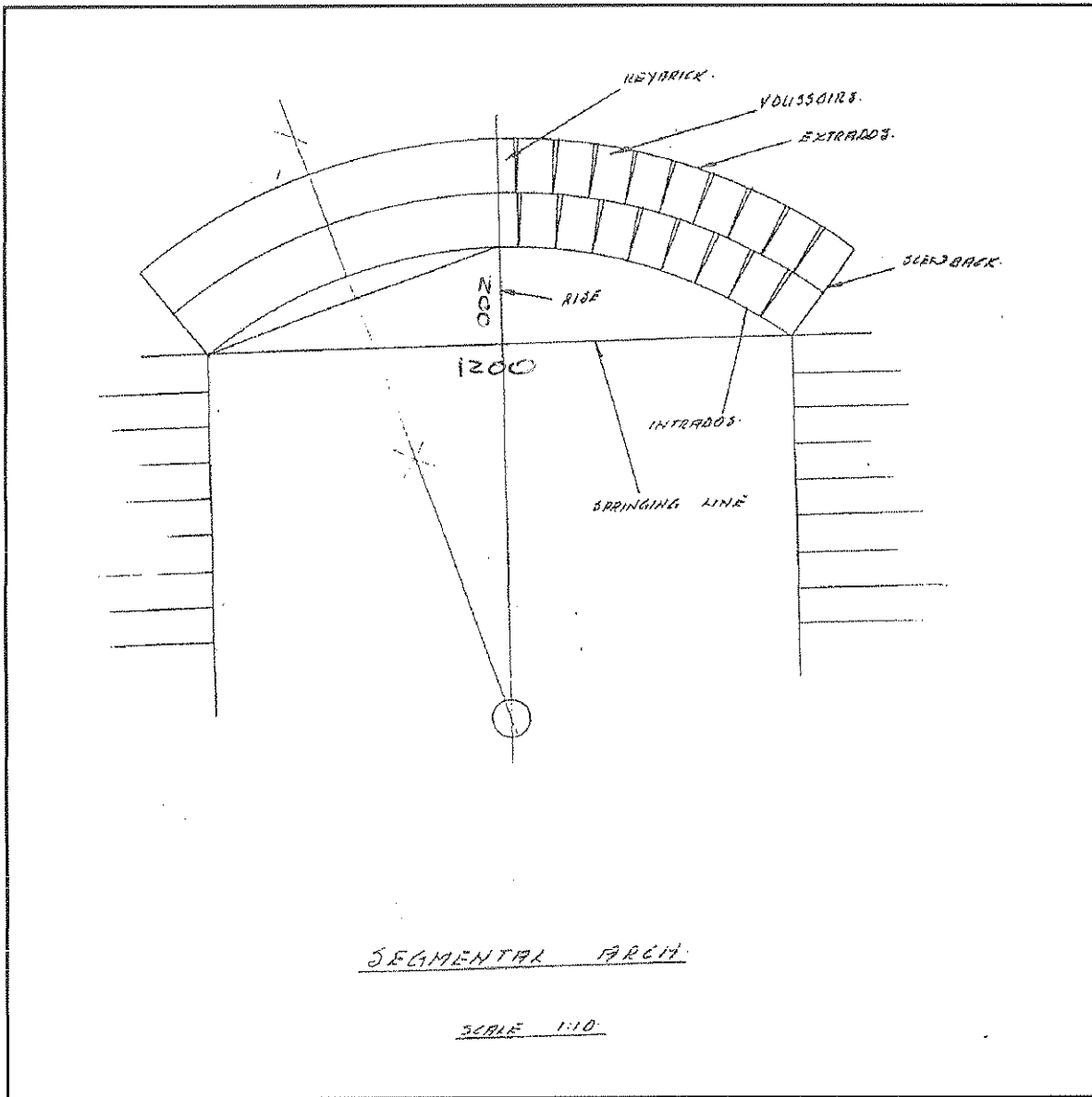
QUESTION 5



[20]



QUESTION 6



[13]

TOTAL: 100